

1992-93 CHEROKEE/COMANCHE (2.5L/4.0L) ENGINES SCHEMATIC

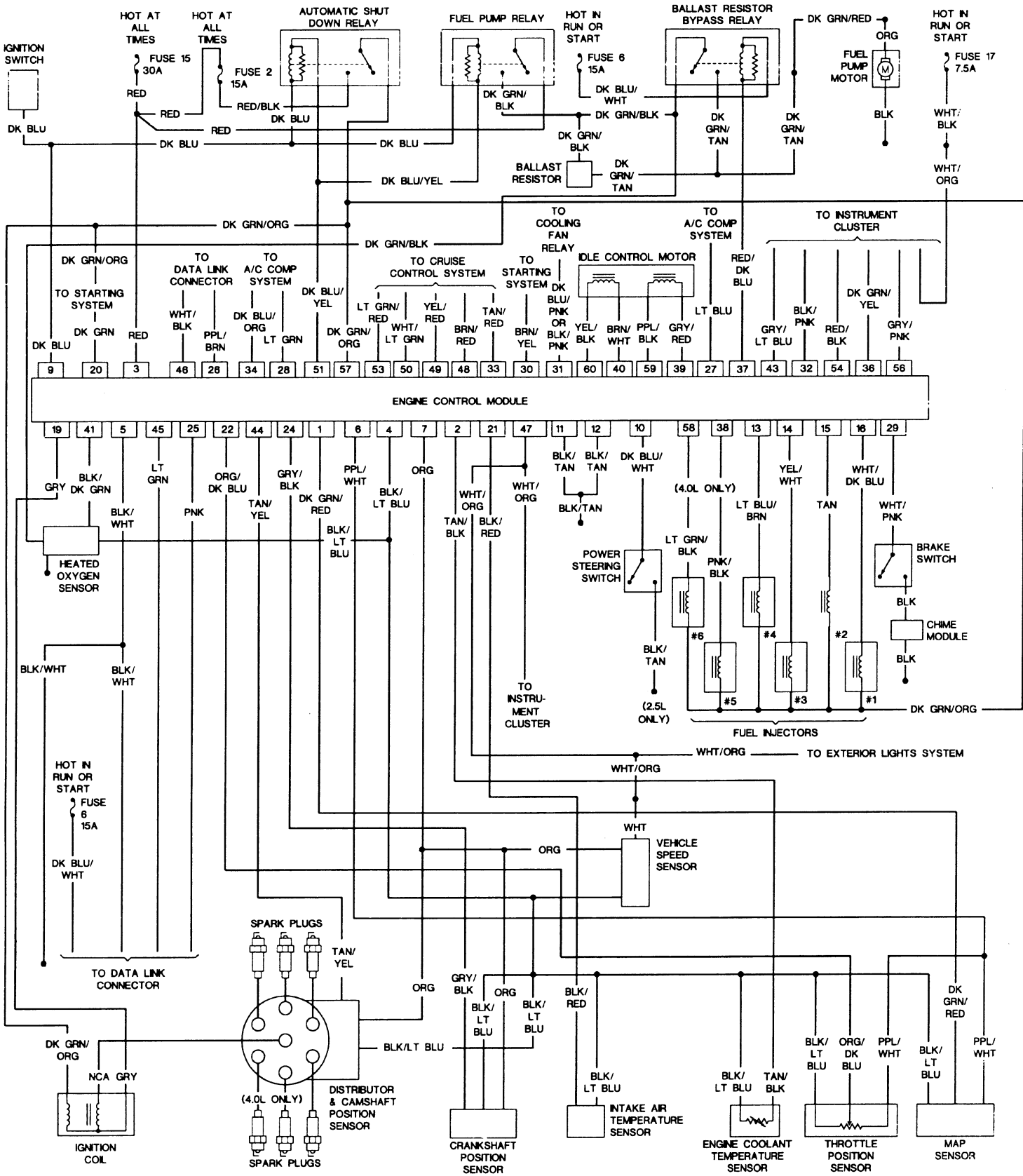


DIAGRAM 22